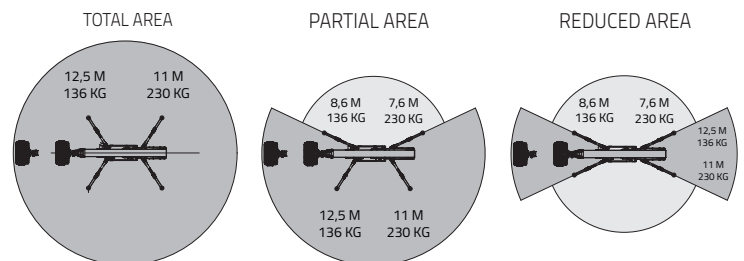
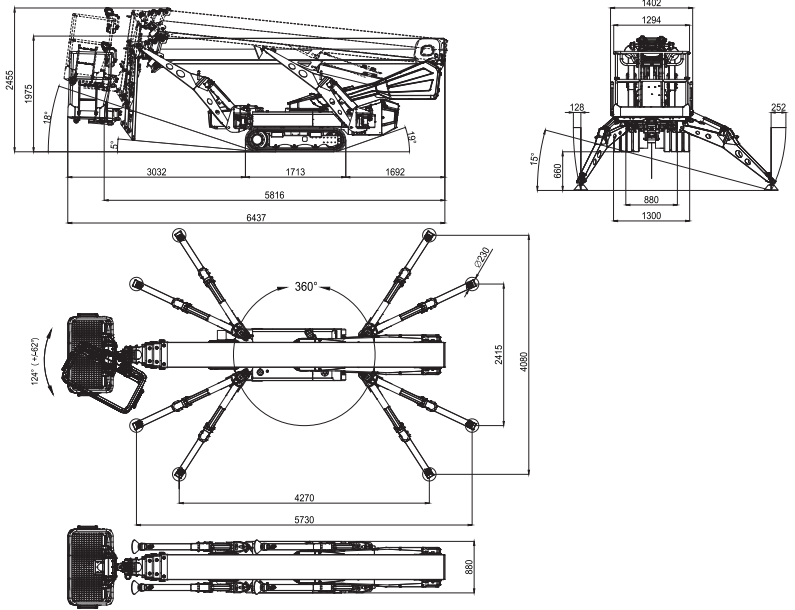
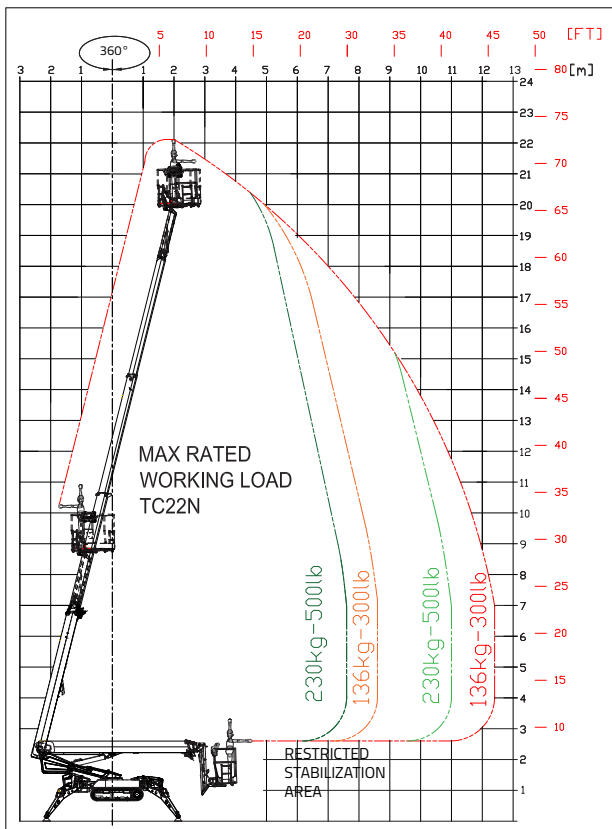


# TeleCrawler22N

**CAPACITY 136 kg**  
(1 person 80 kg + tool box 56 kg)  
**CAPACITY 230 KG**  
(2 persons 80x2=160 kg + tool box 70 kg)



22 m

22 m



1480x610xh.1100 mm  
DSE (Dual Side Entry)



Automatic set up system IIS std.



11 m

12,4 m



124° (+/-62°)



Remote control



6,44 m



880 - 1300 mm



GPRS-GPS



5,82 m



Total area 4080 x 4270 mm  
Reduced area 2415 x 5730 mm  
Partial area 3250 x (4270/5730) mm



R.A.H.M.



1,98 m



Lithium-ion battery pack  
6,1 kWh



Bi-energy (Diesel + Lithium-ion battery pack)  
3,5kW 48V

# TeleCrawler22N



## DIESEL ENGINE

Brand .....KUBOTA  
 Type .....Z602  
 Pistons no. and displacement .....  
 .....double-cylinder 599 cm<sup>3</sup>  
 Max gross power .....  
 ..... 14,5 HP - 10,8kW @ 3200 rpm  
 Electrical start.....12 volt

## LITHIUM-ION SYSTEM

Lithium-ion powered.....6,1 kWh  
 Onboard battery charger.....  
 ..... 220V o 110V +-30V 50-60 Hz  
 Autonomy ..... 4-5 h  
 Recharge time on flat batteries .....  
 .....4 h (indicative)  
 Recharge time to 80% on flat batteries.....  
 ..... 2 h (indicative)

## ELECTRIC MOTOR

Standard ..... 230V / 50 Hz - 2,2 kW  
 Optional ..... 110V / 50 Hz - 2,2 kW

## TRACKED UNDERCARRIAGE

Track tensioner .....grease-filled  
 Rollers no. per side ..... 3 + slide

WEIGHT MACHINE Diesel ..... 3010 kg  
 WEIGHT MACHINE Lithium-ion ..... 3000 kg  
 WEIGHT MACHINE Bi-energy ..... 3100 kg

MAX WIND SPEED ..... 12,5 m/s